



The Comfort Shield offers a barrier against harmful scatter radiation where the concentration is strongest.

The Comfort Shield is a leaded shield accessory that supplements the Comfort Cradle arm board. The shield measures 23" x 30", offering a large area of radiation protection to medical staff during procedures involving fluoroscopy.

The Comfort Shield is designed to fit easily over the TZ Medical Comfort Cradle arm board and attenuates nearly 98% of secondary and scatter radiation while remaining unobtrusive to the medical staff. It is easy to sanitize, and comes with a hanger for easy storage.

Features

- Attenuates 97.9% of secondary and scatter radiation at 80 kVp and has 0.5mm Lead Equivalence
- Low-profile design of Comfort Cradle maintained when shield is in use
- Easy to slip on and off the Comfort Cradle arm board
- Made of durable, flexible material that is easy to sanitize
- Comes with hanger for easy storage



Item Number	Description	UOM
CZ-105	Comfort Shield	1 each

FIND OUT MORE



tzmedical.com



800.944.0187



info@tzmedical.com

12101 R1.1

Comfort Shield

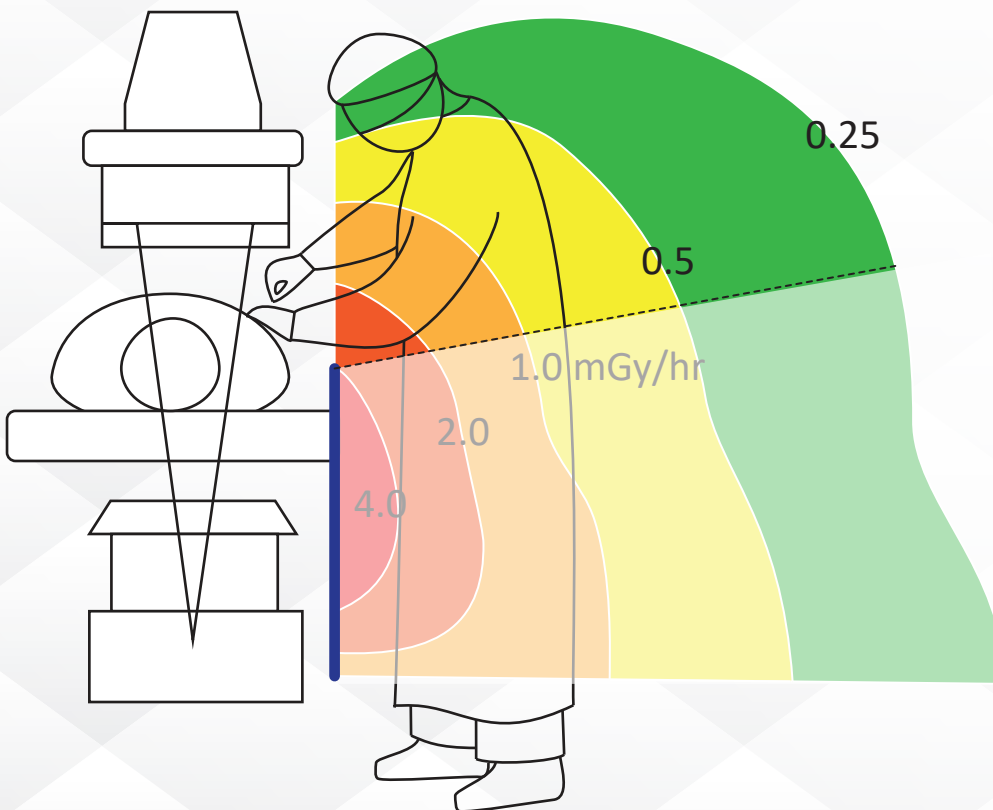
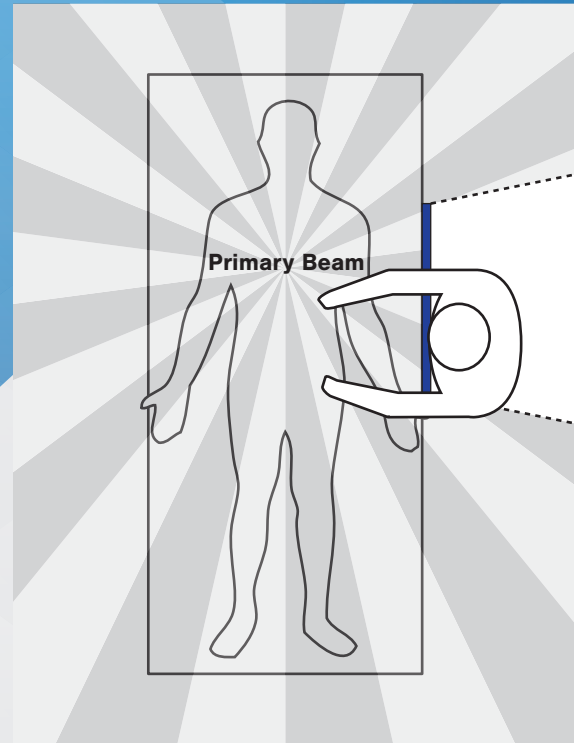


TZ Medical
Sparked by your ideas

Stopping Scatter Radiation in its Tracks

Scatter radiation causes cumulative and irreversible damage to health care professionals every day. This radiation damage can cause long-term health effects and has the potential to prematurely end medical careers.

The Comfort Shield attenuates the radiation at its highest concentration point, greatly reducing instances of long-term health issues for the physicians and staff who routinely perform procedures where x-ray is essential.



The Comfort Shield offers extensive protection during:

- Vascular Surgery
- Electrophysiology
- Interventional Radiology
- Cardiovascular Surgery including PPM implants

FIND OUT MORE



tzmedical.com



800.944.0187



info@tzmedical.com

12101 R1.1