



# TZ MEDICAL RADSTOP STATION

## TZ Medical RadStop Board & Station

The RadStop is a lightweight polycarbonate board designed to hold the Comfort Shield to help protect operators and staff from radiation produced during imaging procedures. The shape and construction of the board is designed to be easily moved under the patient into nearly any configuration to extend radiation protection in ways that fixed position devices can't achieve.

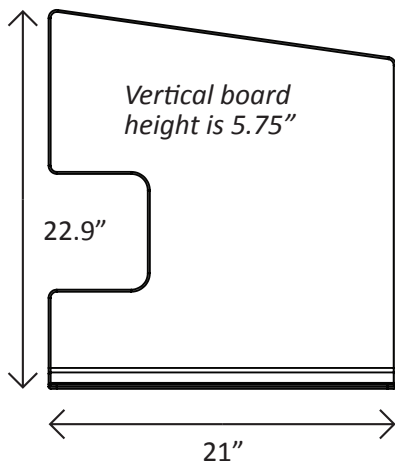
The RadStop Station (board and shield) can be used for all diagnostic and interventional imaging and can help speed up these procedures as well as prevent contamination of equipment.



Comfort Shield  
Part# CZ-005



RadStop Board  
Part# CZ-010



### Comfort Shield

The RadStop board is specially designed to hold the TZ Medical Comfort Shield, which is a flexible leaded shield that has been tested to attenuate 98% of the radiation associated with imaging procedures.

### Product Features

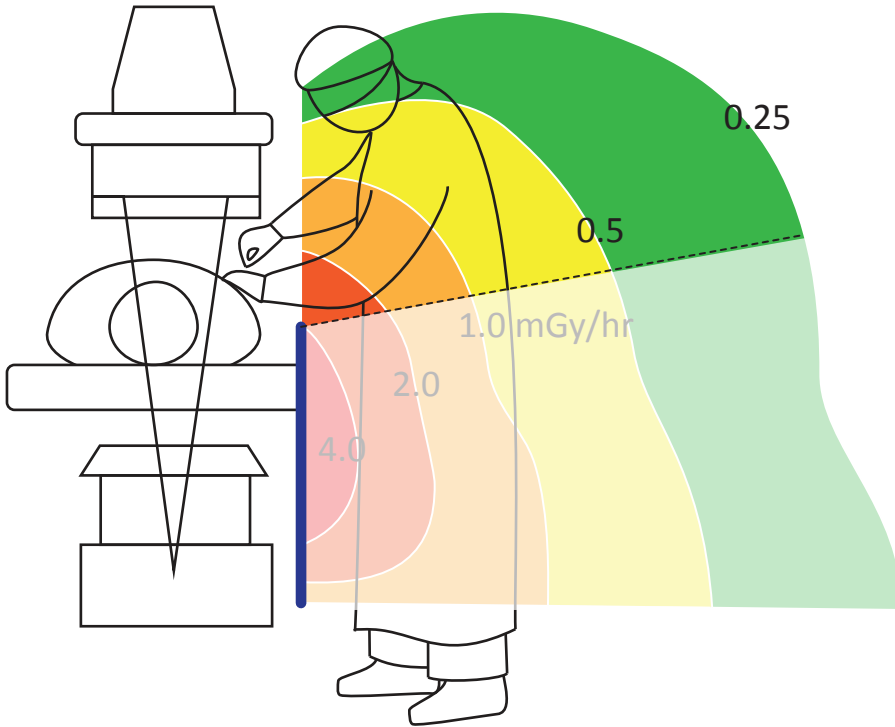
- Comfort Shield Reduces radiation to operators and staff
- Can be used for all diagnostic and interventional imaging procedures
- Freedom to place radiation protection almost anywhere on your imaging table
- Perfect supplement to OEM table side shielding
- Allows unobstructed use of TZ Medical Patient Immobilizer

**TZ Medical**  
Sparked by your ideas





# TZ MEDICAL RADSTOP STATION



## Stopping Scatter Radiation in its Tracks

Scatter radiation causes cumulative and irreversible damage to health care professionals every day. This radiation damage can cause long-term health effects and has the potential to prematurely end medical careers.

The RadStop Station attenuates the radiation at its highest concentration point, greatly reducing the risk of long-term health issues for the physicians and staff who routinely perform procedures where x-ray is essential.

**Table 1. Clear Shields on the table**

*kVp and mA with and without table shields in place*

	kVp	mA	Phantom
No Shield	74	18.2	7 7/8" lucite
	75	19.2	Cath Lab QC Platform
Comfort Shield on table and in the beam	78	18.6	7 7/8" lucite
	78	18.2	Cath Lab QC Platform
Arms and shield installed on table	78	16.5	7 7/8" lucite
	79	16.7	Cath Lab QC Platform

**Table 2. Comfort Shield installed on the clear shields and arms - Radiation exposure measurements with and without the Comfort Shield installed on the arms; with 7 7/8" lucite phantom in the beam (ion chamber behind the lead shield)**

	mR/hr	kVp	mA
No Shield	805	78	16.2
Comfort Shield installed on the arms next to table	16	78	16.3

TZ Medical Inc.  
17750 SW Upper Boones Ferry Rd. #150  
Portland, OR 97224  
Office: 800.944.0187 Fax: 503.639.0239  
www.tzmedical.com

**TZ Medical**  
Sparked by your ideas

